



- TASTE THE DIFFERENCE -

## MODEL CS8

This higher-volume, compact counter-model soft serve freezer serves two flavors of yogurt, ice cream or sorbet with a twist. Great for specialty buffets, nursing/extended care facilities, convenience stores, small family fun centers and ice cream shops.

### The Electro Freeze Advantage

- **Self Closing Spigot** prevents the mess and eliminates waste
- **Exclusive Auger Design** gently blends, reducing agitation and maintaining product quality and consistency
- **Consistency Control** designed to dispense the finest frozen product available
- **Compact Design** with small footprint
- **Experience Tells** Electro Freeze has been manufacturing quality frozen treat machines since 1929. Superior engineering, product innovations, sturdy construction, quality craftsmanship and dependable performance are Electro Freeze hallmarks.
- **Superior Service Support** backed by a world-wide distributor network

## GRAVITY SOFT SERVE FREEZER

Compact Series  
2 Flavor Twist



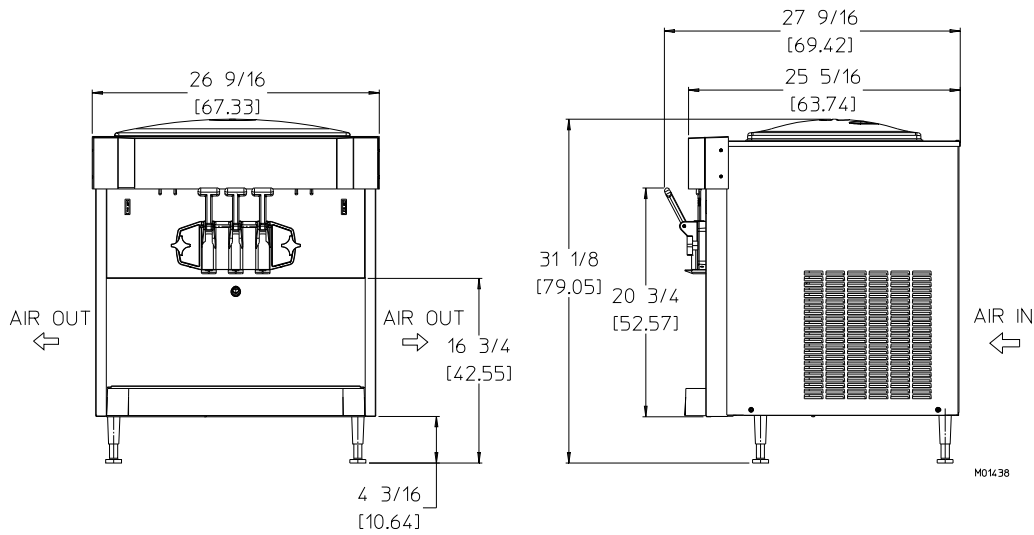
[electrofreeze.com](http://electrofreeze.com)

FOR MORE INFORMATION CONTACT

800-755-4545 • [sales@electrofreeze.com](mailto:sales@electrofreeze.com)



CS8 Soft Serve Freezer



### MODEL CS8 SPECIFICATIONS

Due to continual product improvements all specifications are subject to change without notice.

Weights	lbs.	kgs.
Net	350	158
Crated	470	213
	cu.ft.	cu.m.
Volume	39.47	1.12
Dimensions	in.	cm.
Width	26-9/16	67.33
Depth	25-5/16	63.74
Height	31-1/8	79.05

Electrical	Total Amps	NEMA Plug Type	Poles (P) Wires (W)
208-230/60/1 Air	16.0	6-20P	n/a
220-240/50/1 Air	13.8	n/a	2P, 2W

*Electrical characteristics other than above available on request from factory or local distributor. Check nameplate for exact electrical data.*

#### Bidding Spec

Electrical: Volt \_\_\_\_\_ Hz \_\_\_\_\_ ph \_\_\_\_\_  
 Cooling: \_\_\_\_\_ Neutral \_\_\_\_\_ Yes \_\_\_\_\_ No  
 Options: \_\_\_\_\_  
 \_\_\_\_\_  
 \_\_\_\_\_

#### Electrical

One dedicated electrical connection is required. 60 Hertz units connect to a standard NEMA 6-20R receptacle. See electrical chart for the proper requirement. Consult your local electrical codes for receptacle specifications.

#### Beater Motor

Two, .75 hp.

#### Refrigeration Systems

Two, 4300 Btuh. R404a.  
 Btuh may vary depending on compressor used.

#### Air Cooled

3" (7.6cm) air space required on both sides and rear panel for proper air circulation

**Mix Hopper Capacity:** two - 10 quarts (9.5 liters) each

**Freezing Cylinder Capacity:** two - 2.7 quarts (2.6 liters) each

Certified and/or listed by:



\*UL listed and listed by Underwriters Laboratories under Canadian National Standard C22.2 No. 120-M91 (R2008)  
 \*\*Select Voltages @ 50HZ



### Electro Freeze div. of H.C. Duke & Son, LLC

2116-8th Avenue, East Moline, Illinois 61244 USA  
 Phone (309) 755-4553 • (800) 755-4545  
 FAX (309) 755-9858  
 E-mail: sales@electrofreeze.com • www.electrofreeze.com

### Authorized Distributor